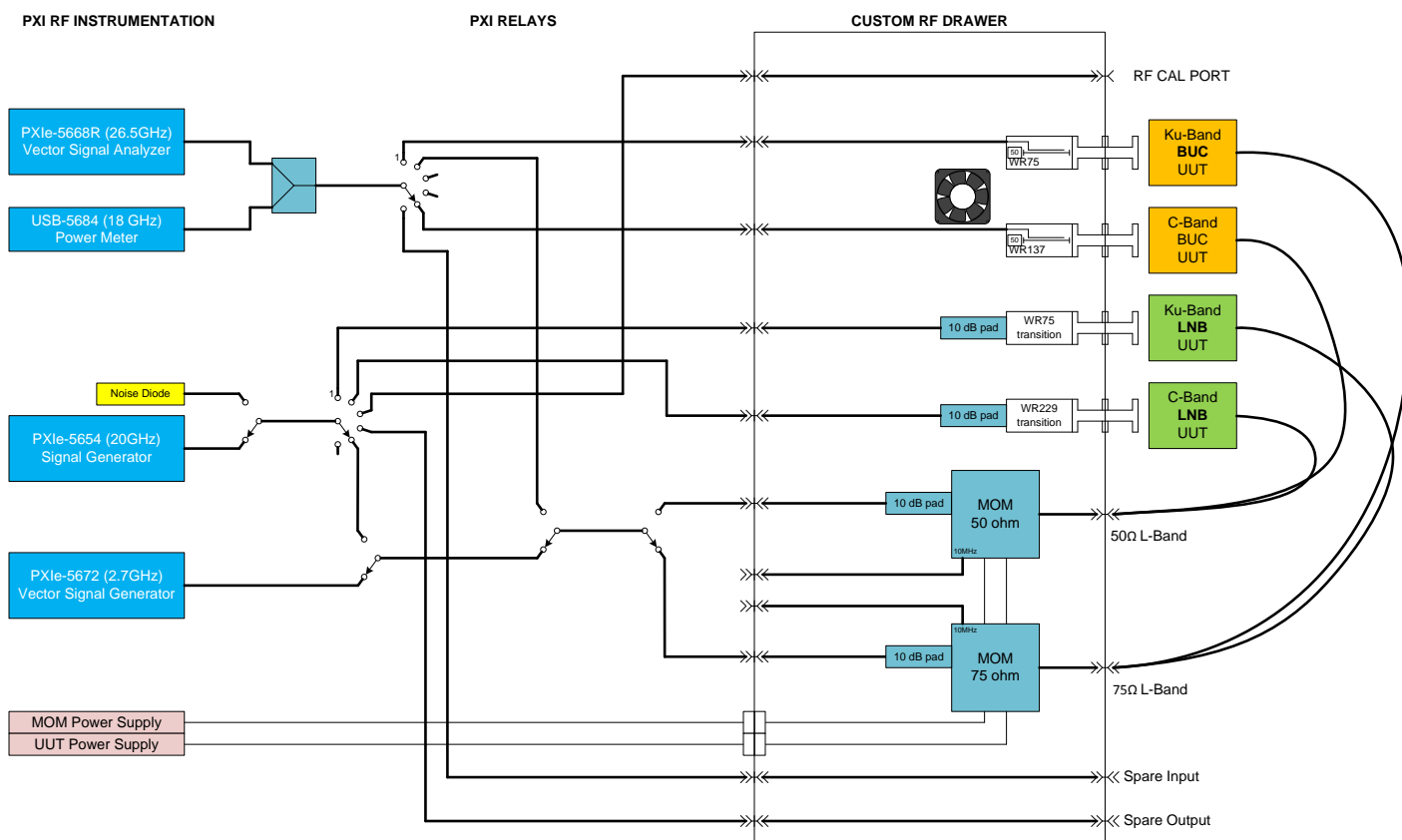


Find out how this tool can help you with fast test times, increased throughput and configurable software and reports for custom applications.



The **VSAT Transmitter and Receiver Test Station** is a low cost COTS-based test station for testing transmitters and receivers used in a VSAT (Very Small Aperture Terminal) antenna. Automated test software enables full test automation. The VSAT test station is capable of full range testing of block up-converters (BUC) and low noise block down-converters (LNB). For customers needing additional functionality, G Systems also provides full customization services.

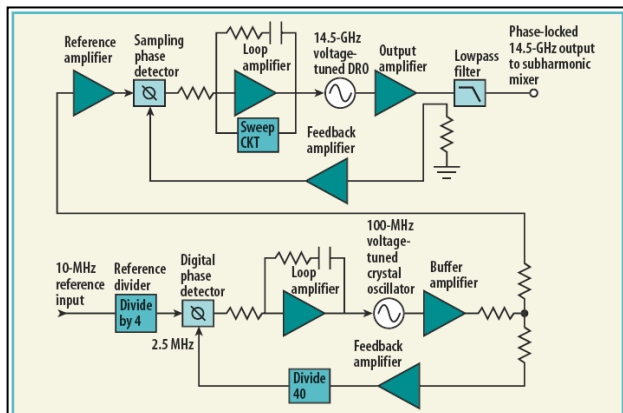
VSAT TRANSMITTER / RECEIVER TESTER



FEATURES

- Self-contained single bay rack tester for Ku band BUC and LNB
- Interface drawer housing Master Oscillator Modules (MOM)
- High-performance Vector Signal Generator
- High-performance RF switching
- High-performance Spectrum Analyzer
- High-performance coaxial cables for signal isolation
- Configuration driven instrument settings, test limits, and test sequence
- Path loss calibrator tool
- Automated switching

- Connect and Go Path loss correction
- DC bias injection
- Drop-down table top for device under test (DUT) test surface
- Automated environmental chamber control for temperature testing



Sample DUT block diagram

BENEFITS

- Fast test times
- Repeatable
- Increased throughput
- Database connectivity
- Configurable software and reports for custom applications

Test Schematic

Custom software enables the test operator to select the device under test (DUT) part number and serial number and executes the test based on configured parameters for that part. A configuration GUI enables entry and editing of DUT parameters. At the end of each test, the software stores all results in a spreadsheet format and generates a printable report in PDF format.

Additionally, software screens instruct the user during the calibration measurement process.

BUC Testing Measurements

- Output Power @ 1dB compression
- Linear Gain vs. Frequency
- Adjacent Channel Power Ratio @ +35 dBm based on 36 MHz wide TDMA modulation
- LO Phase Noise
- Receive Band Noise Density
- Output Muting when 10 MHz reference is lost
- DC Current

LNB Testing Measurements

- Output Power @ 1 dB compression
- Conversion Gain vs. Frequency
- Noise Figure vs. Frequency
- LO Phase Noise
- DC Current

TestStand™ Automation

- Versatile Test Configuration
- Automated configuration of tests based on performance of prior tests
- Summary Reporting of Multiple Test Cycles
- Custom Report of Individual Test Cycles
- Current Monitoring
- Warm-up and Cool-down Cycles
- Tests Integrated with Temp Chamber